

Yale

TIGRIP®



TIGRIP
Mod. TBL 1,5 plus Bj. '13
Ser. No. siehe Seitenplatte
Tragt./WLL see side plate
Greifb./Jaw Cap. 1,5 t
Eigengew./Weight 0-20 mm
3,0 kg
CE COLUMBUS MCKINNON
Ind. Products GmbH
42549 Velpert/Germany
Bedienungsanleitung beachten!
Use Operating Instructions!

W-L-L
100kg
150

Tigrip® Load Hoisting Tackle

Lifting clamps and attachments have a reputation for reliability, quality and safety going back more than 35 years. For transportation and handling of loads with a hoist the Tigrip® programme offers the optimum connection between hook and load for almost any application.

Tigrip® Crane Weighers

Also renowned for many years are our precise crane weighers. Wherever weight has to be measured or forces have to be assessed the reliable and robust units can be used. Areas of application are practically unlimited.

TIGRIP® - your first choice!

Table of contents

	Page
Grabs & Clamps	148 - 153
	156 - 181
Permanent load lifting magnets	154 - 155
Lifting lugs & Clamps & C-hooks	182 - 186
Barrel grabs & Crate grabs	187 - 193
Load hoisting tackle for underground construction	194 - 197
Spreader beams	198 - 207
Crane forks	210 - 211
Crane weighers	212 - 215
Load indicator	216 - 217

INFO

Please note our user instructions at the beginning of each chapter.



Model TCU



Model TCO



Container lifting lugs model TCO

Container lifting lugs model TCO and model TCU

Capacity 32000 - 56000 kg

These container lifting lugs are offered in a set of 4 pieces with a total weight capacity of 56t.

The lugs serve as flexible attachment points for the transport of containers. Two types are available which can be fastened to either the "top" or to the "bottom" of the container.

Model TCO is vertically mounted in the hole at the top of the container. Turning the TCO 90°, locks it securely in place.

Model TCU is mounted on the bottom fixing hole on the container and has a spring-loaded bolt to prevent an accidental release.

Transport is done with the use of a spreader beam in conjunction with wire rope, chain or textile slings making sure the load is suspended vertically.

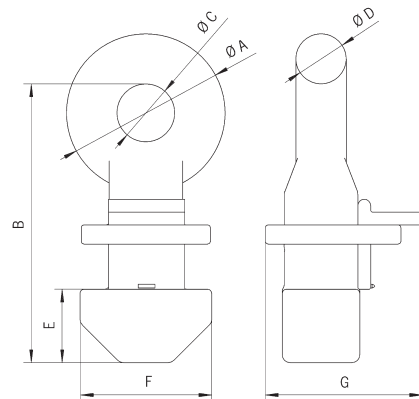
Technical data model TCO and model TCU

Model	EAN-No. 4025092*	Capacity ¹ kg	Weight ¹ kg	Angle from the vertical
TCU 32	*556927	32000	19.5	50°
TCU 40	*556927	40000	19.5	36°
TCO 56	*556965	56000	30.1	vertical

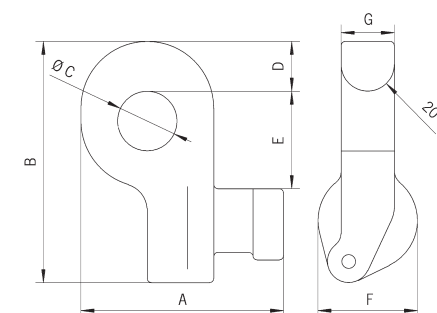
¹set of 4 pieces

Dimensions model TCO and model TCU

Model	TCU 32	TCU 40	TCO 56
A, mm	152	152	123
B, mm	181	181	217
Ø C, mm	45	45	45
D, mm	37	37	39
E, mm	73	73	57
F, mm	75	75	101
G, mm	40	40	121



Model TCO



Model TCU

Clamps for cable drums model TKB

Capacity 5000kg

Specifically designed for the transport of cable drums, these clamps are used in pairs together with a two-legged chain sling.

By the spreading of the clamp, it locks inside the drum.

The clamps can be held in place by a locking lever.

Easy handling, light-weight design, and the size of the clamp contribute to a safe transport of all types of cable drums.



INFO

Various sizes are available on request.

Please supply dimensions C and D!

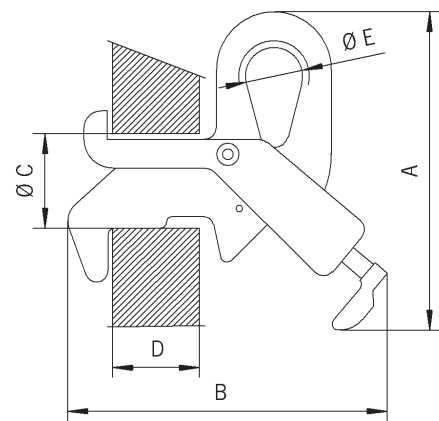
Technical data model TKB

Model	EAN-No. 4025092*	Capacity ¹ kg	Weight kg
TKB	*556606	5000	11

¹Per pair

Dimensions model TKB

Model	TKB
A, mm	277
B, mm	277
Ø C, mm	82
D, mm	85
Ø E, mm	50





C-Hook model TCK

Capacity 500 - 10000 kg

Coils, rolls, rings and similar items are transported safely with the Tigrip C-Hooks. Tine length and usable height with the most frequently encountered coil sizes are listed in the table below.

Other working loads, measurements, and models, such as C-Hooks with automatic balancing device, are available on request.

INFO

Illustration shows tines with 4/4 the length of the coil width (special).

Technical data model TCK

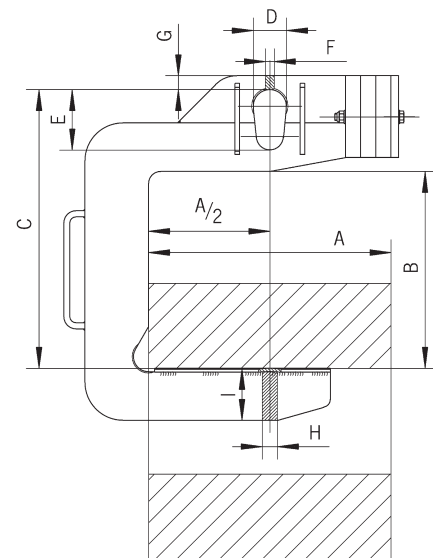
Model	EAN-No. 4025092*	Capacity kg	Weight kg
TCK 0,5/300	*554800	500	21
TCK 0,5/500	*552417	500	30
TCK 0,5/800	*554817	500	46
TCK 1,0/300	*554824	1000	28
TCK 1,0/500	*554831	1000	40
TCK 1,0/800	*552783	1000	95
TCK 2,0/300	*554848	2000	45
TCK 2,0/500	*551830	2000	90
TCK 2,0/800	*552615	2000	140
TCK 2,0/1000	*552479	2000	180
TCK 3,0/300	*554855	3000	68
TCK 3,0/500	*554862	3000	127
TCK 3,0/800	*552431	3000	165
TCK 3,0/1000	*554879	3000	215
TCK 5,0/500	*551298	5000	184
TCK 5,0/800	*554886	5000	238
TCK 5,0/1000	*554893	5000	286
TCK 5,0/1250	*554909	5000	364
TCK 7,5/800	*555043	7500	390
TCK 7,5/1000	*551984	7500	520
TCK 7,5/1250	*551878	7500	650
TCK 7,5/1500	*554916	7500	767
TCK 10,0/1000	*554923	10000	772
TCK 10,0/1250	*551670	10000	810
TCK 10,0/1500	*554930	10000	980

Dimensions model TCK

Model	TCK 0,5/300	TCK 0,5/500	TCK 0,5/800	TCK 1,0/300	TCK 1,0/500	TCK 1,0/800	TCK 2,0/300	TCK 2,0/500	TCK 2,0/800	TCK 2,0/1000
Coil width A, mm	300	500	800	300	500	800	300	500	800	1000
Usable height B, mm	400	400	400	450	450	450	500	500	500	500
C, mm	570	580	580	620	630	630	700	700	720	720
D, mm	60	60	60	60	60	60	75	75	75	75
E, mm	120	120	120	120	120	120	150	150	150	150
F, mm	20	20	25	25	20	30	25	30	30	20
G, mm	25	23	23	23	23	23	38	38	38	35
H, mm	20	20	25	20	25	30	25	30	30	40
I, mm	50	65	70	70	80	90	90	110	125	125

Model	TCK 3,0/300	TCK 3,0/500	TCK 3,0/800	TCK 3,0/1000	TCK 5,0/500	TCK 5,0/800	TCK 5,0/1000	TCK 5,0/1250	TCK 7,5/800	TCK 7,5/1000
Coil width A, mm	300	500	800	1000	500	800	1000	1250	800	1000
Usable height B, mm	500	500	500	500	550	550	550	550	600	600
C, mm	700	700	720	720	800	800	820	820	900	900
D, mm	75	75	75	75	100	100	100	100	110	110
E, mm	150	150	150	150	200	200	200	200	220	220
F, mm	30	20	25	20	25	30	30	30	35	35
G, mm	38	40	40	40	45	45	45	45	50	50
H, mm	30	30	40	40	40	50	50	50	50	60
I, mm	105	125	140	155	145	160	180	200	200	200

Model	TCK 7,5/1250	TCK 7,5/1500	TCK 10,0/1000	TCK 10,0/1250	TCK 10,0/1500
Coil width A, mm	1250	1500	1000	1250	1500
Usable height B, mm	600	600	650	650	650
C, mm	900	920	980	1000	1000
D, mm	110	110	130	130	130
E, mm	220	220	250	250	250
F, mm	35	35	40	45	45
G, mm	45	50	50	55	55
H, mm	60	70	70	70	80
I, mm	220	220	220	240	240





Coil hook model TCS

Capacity 500 - 3000 kg

The TCS coil hook is an universal C-Hook. Due to its tipping feature, it can lift or lower the coil, whether the coil is lying flat or is in an upright position. With this tipping device, the coil is tipped safely through 90°.

The slow and safe movement of the tipping device ensures a continuous flowing movement when lifting or lowering the coil. At the same time, the tipping device serves the purpose of preventing accidental slipping of the load during transport.

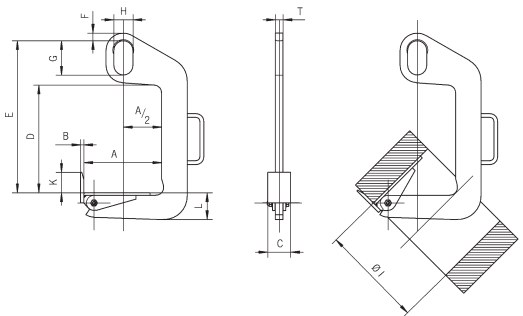


INFO

Other sizes and models available on request.

Technical data model TCS

Model	EAN-No. 4025092*	Capacity kg	Weight kg
TCS 0,5/120	*554947	500	6.9
TCS 0,5/200	*552257	500	9.6
TCS 1,0/200	*552264	1000	15.4
TCS 1,0/300	*552875	1000	20.0
TCS 2,0/200	*551977	2000	24.8
TCS 2,0/300	*551908	2000	33.4
TCS 3,0/200	*552011	3000	45.0
TCS 3,0/300	*552714	3000	51.0



Dimensions model TCS

Model	TCS 0,5/120	TCS 0,5/200	TCS 1,0/200	TCS 1,0/300	TCS 2,0/200	TCS 2,0/300	TCS 3,0/200	TCS 3,0/300
Coil width A min., mm	50	100	100	200	100	200	100	200
Coil width A max., mm	120	200	200	300	200	300	200	300
B, mm	10	10	10	10	12	12	15	15
C, mm	60	60	80	80	90	90	100	100
D, mm	330	330	460	460	420	420	610	610
E, mm	470	470	600	600	600	600	820	820
F, mm	20	20	20	20	30	30	40	40
G, mm	110	110	110	110	135	135	160	160
H, mm	60	60	60	60	75	75	90	90
K, mm	50	50	60	60	80	80	100	100
L, mm	45	50	65	70	85	95	100	110
T, mm	20	20	25	25	30	30	35	35
Ø I, mm	220	300	300	400	300	400	300	400