

Yale

TIGRIP®



Tigrip® Load Hoisting Tackle

Lifting clamps and attachments have a reputation for reliability, quality and safety going back more than 35 years. For transportation and handling of loads with a hoist the Tigrip® programme offers the optimum connection between hook and load for almost any application.

Tigrip® Crane Weighers

Also renowned for many years are our precise crane weighers. Wherever weight has to be measured or forces have to be assessed the reliable and robust units can be used. Areas of application are practically unlimited.

TIGRIP® - your first choice!

Table of contents

	Page
Grabs & Clamps	148 - 153
	156 - 181
Permanent load lifting magnets	154 - 155
Lifting lugs & Clamps & C-hooks	182 - 186
Barrel grabs & Crate grabs	187 - 193
Load hoisting tackle for underground construction	194 - 197
Spreader beams	198 - 207
Crane forks	210 - 211
Crane weighers	212 - 215
Load indicator	216 - 217

INFO

Please note our user instructions at the beginning of each chapter.



Concrete pipe lifting gear model BTG

Capacity 1500 - 3000kg

Lifting gear for the vertical transport of concrete pipe and culverts must be very versatile. Most important, it must be absolutely safe and easy to handle under even the harshest conditions.

The Tigrip concrete pipe lifting gear meets all these requirements. It is a three legged lifting system for the safe and non-marring transport of concrete pipes up to a diameter of Ø 2000mm and a load of up to 3t.

The jaw capacity is designed for concrete pipe thicknesses from 40 - 220mm. Attachment and removal of the clamps can be done easily due to the handles that have been incorporated into each clamp.

Features

- Solid design
- Safety factor 4:1
- Simple and safe handling
- Large jaw capacity
- For the toughest operating conditions
- Lightweight design
- Service-friendly

INFO

For concrete pipes according to DIN 4034.

Lifting gear for concrete pipe up to a diameter of Ø3000mm available on request!



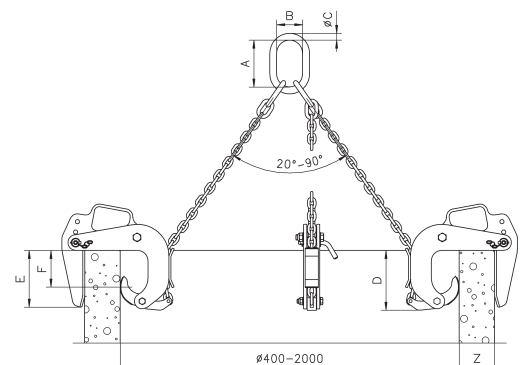
Technical data model BTG

Model	EAN-No. 4025092*	Capacity ¹ kg	Jaw capacity Z mm	Mouth depth E mm	Pressure line F mm	Weight kg
BTG 1,5/120	*550147	1500	40 - 120	165	100	35
BTG 3,0/180 TM-N	*551199	3000	50 - 180	245	175	90
BTG 3,0/220 TM-N	*550819	3000	90 - 220	245	175	94

¹Per lifting gear - three legged

Dimensions model BTG

Model	BTG 1,5/120	BTG 3,0/180 TM-N	BTG 3,0/220 TM-N
A, mm	135	180	180
B, mm	75	100	100
Ø C, mm	18	26	26
D, mm	180	310	310



Trench shield grab model TCP

Capacity 1500 - 5500kg

The TCP grab is suitable for vertical positioning and transportation of trench shields.

Once the grab is set onto the trench shield, a spring-loaded bolt locks itself into the hole of the shield. Releasing the bolt is done with the 15m pull cord attached to the grab.

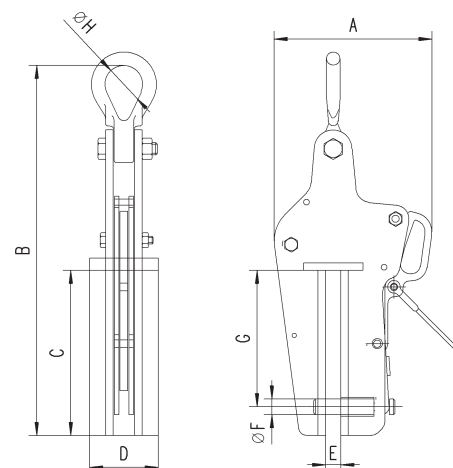


Technical data model TCP

Model	EAN-No. 4025092*	Capacity kg	Weight kg
TCP 1,5	*555807	1500	12.2
TCP 3,0	*555791	3000	19.5
TCP 5,5	*555784	5500	26.7

Dimensions model TCP

Model	TCP 1,5	TCP 3,0	TCP 5,5
A, mm	207	226	269
B, mm	488	517	575
C, mm	218	218	218
D, mm	90	100	120
E, mm	18	24	24
Ø F, mm	20	24	30
G, mm	180	180	180
Ø H, mm	50	63	89





Trench shield clamp model TPP

Capacity 3000 - 12000kg

The TPP trench shield clamp is similar to a regular plate clamp in its construction but has a much deeper jaw.

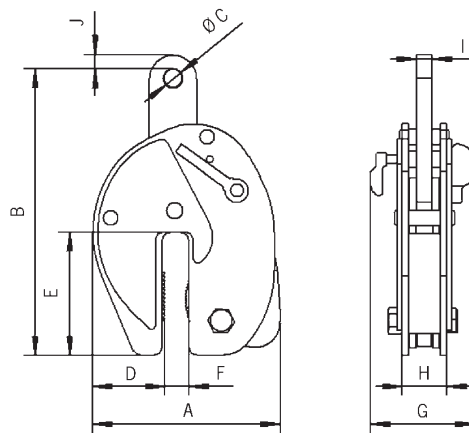
The compact construction combined with a high capacity makes it ideal for pulling trench shields out of the ground. A safety lock prevents the accidental opening of the clamp.

Technical data model TPP

Model	EAN-No. 4025092*	Capacity kg	Jaw capacity mm	Weight kg
TPP 3	*556255	3000	0 - 20	16.0
TPP 8	*556217	8000	0 - 30	27.8
TPP 12	*556231	12000	0 - 30	53.0

Dimensions model TPP

Model	TPP 3	TPP 8	TPP 12
A, mm	224	294	361
B, mm	325	445	486
Ø C, mm	20	30	40
D, mm	88	109	145
E, mm	147	194	190
F, mm	25	42	41
G, mm	123	146	167
H, mm	60	72	90
I, mm	20	25	30
J, mm	18	26	32



Pipe hook model TRO

Capacity 2000 - 10000kg

The pipe hooks are used in pairs for the safe transport of pipes.

Scope of delivery

The shackles are included with the hooks.



Technical data model TRO for 60° - 90° chain-top angle

Model	EAN-No. 4025092*	Capacity ¹ kg	Weight ¹ kg
TRO 2/90	*556729	2000	3.1
TRO 4/90	*556743	4000	5.6
TRO 6/90	*556767	6000	10.5
TRO 8/90	*556781	8000	17.8

¹Per pair

Dimensions model TRO for 60° - 90° chain-top angle

Model	TRO 2/90	TRO 4/90	TRO 6/90	TRO 8/90	TRO 10/90
t, mm	20	30	30	40	40
A, mm	0 - 40	0 - 50	0 - 60	0 - 70	0 - 80
B, mm	35	40	51	55	69
C, mm	40	48	62	67	80
D, mm	62	77	90	105	115
E, mm	62	77	90	105	115
F, mm	116	142	173	190	221
Ø G, mm	16.3	24.3	24.3	30.3	30.3
H, mm	47.6	72.2	72.2	95.3	95.3
Ø I, mm	12.7	19	19	25.4	25.4
J, mm	30.2	44.5	44.5	58.7	58.7

Technical data model TRO for 90° - 120° chain-top angle

Model	EAN-No. 4025092*	Capacity ¹ kg	Weight ¹ kg
TRO 2/120	*556828	2000	3.5
TRO 4/120	*556842	4000	8.8
TRO 6/120	*556866	6000	14.9
TRO 8/120	*556880	8000	18.6
TRO 10/120	*556903	10000	23.0

¹Per pair

Dimensions model TRO for 90° - 120° chain-top angle

Model	TRO 2/120	TRO 4/120	TRO 6/120	TRO 8/120	TRO 10/120
t, mm	20	30	40	40	50
A, mm	0 - 30	10 - 40	20 - 50	30 - 65	30 - 75
B, mm	34	39	43	54	60
C, mm	40	50	55	65	70
D, mm	82	95	106	119	143
E, mm	75	80	95	100	125
F, mm	106	131	153	185	208
Ø G, mm	16.3	24.3	30.3	30.3	36.3
H, mm	30.2	44.5	58.7	58.7	73
Ø I, mm	12.7	19	25.4	25.4	31.8
J, mm	47.6	72.2	95.3	95.3	117

